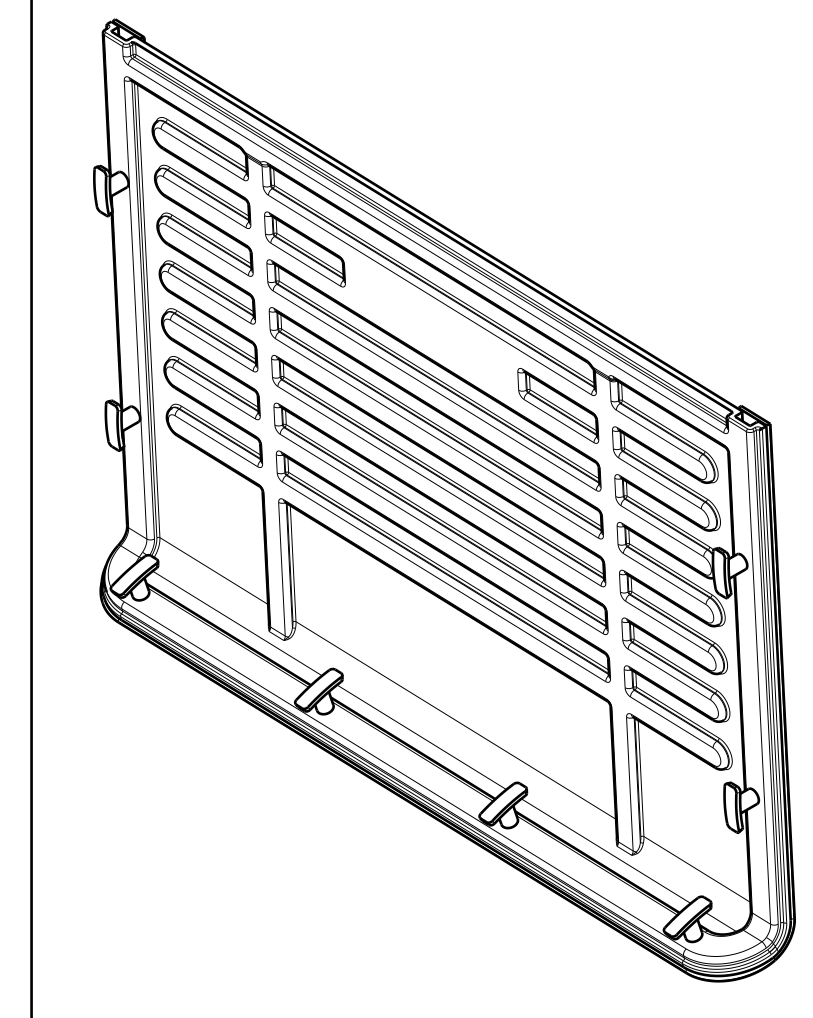
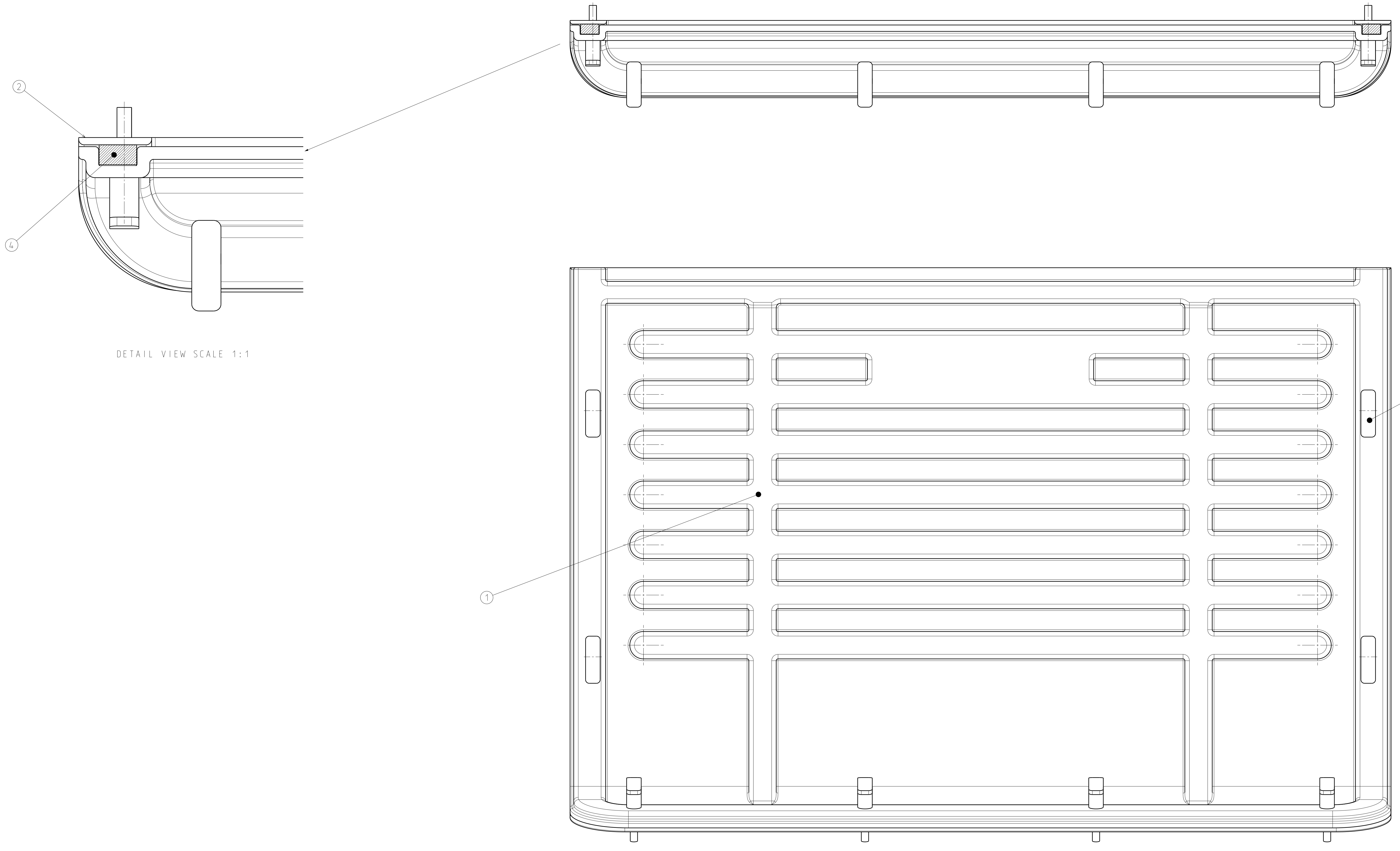


ISSUE	DATE
1	25/11/2010



ISOMETRIC VIEW



DETAIL VIEW SCALE 1:1

PART NUMBER TABLE

ASSY WIDTH	DOOR PNL (ITEM1)	SUBFRAME (ITEM2)	T HANDLE SCW ASSY (ITEM3)	SEAL EPDM RA24 SAB (SLF ADHESIVE BACK) 20 x 15 (ITEM 4) - SEE NOTE 2
840	FT840	FTF840	QTY 8	REQD
900	FT900	FTF900	QTY 8	REQD
1000	FT1000	FTF1000	QTY 8	REQD
1200	FT1200	FTF1200	QTY 9	REQD
1500	FT1500	FTF1500	QTY 10	REQD

- NOTES :
- NO PART OF THIS DOCUMENT TO BE REPRODUCED UNLESS INSTRUCTED IN WRITING BY FLOODTITE SYSTEMS.
 - SEAL TO BE ADHERED TO DOOR PANEL ITEM 1.

ORIGINAL SCALE 1 : 2 UNLESS OTHERWISE STATED

DRAWN	NAME	DATE
Q_HARDS		25/11/2010

FLOODTITE SYSTEMS

TOLERANCE
 0 = +/- 1mm
 0.0 = +/- 0.5mm

DOOR PANEL ASSY

SEE PART NO TABLE

SHEET 3 OF 3