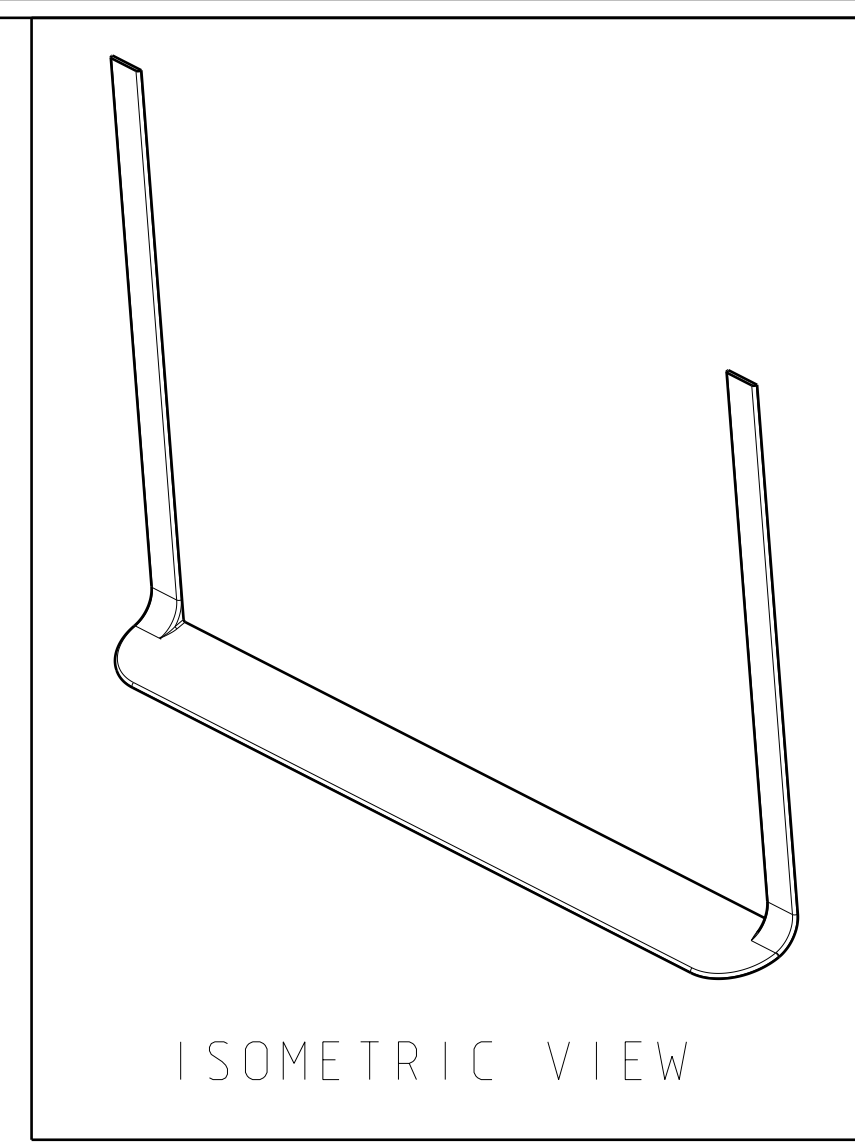
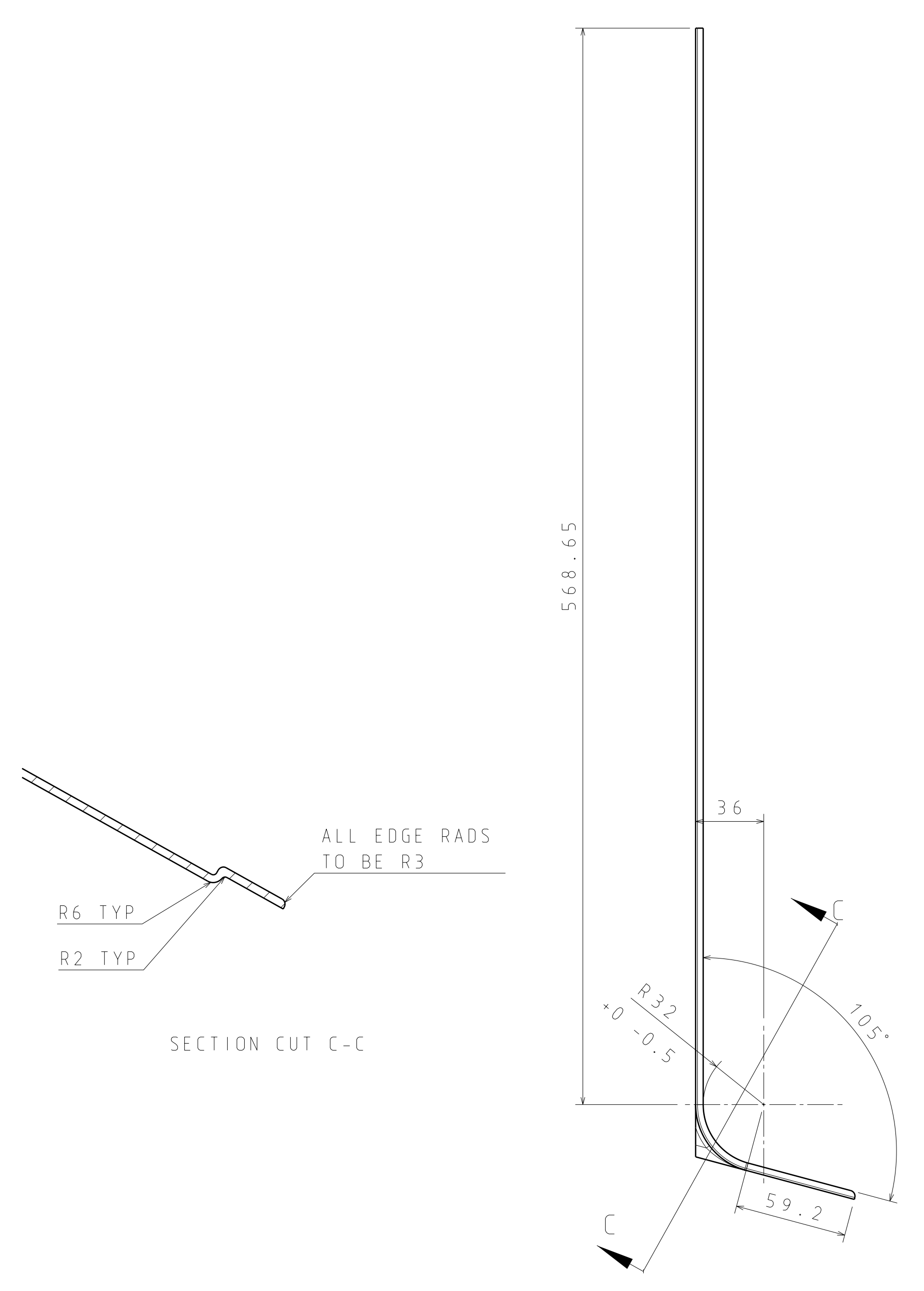
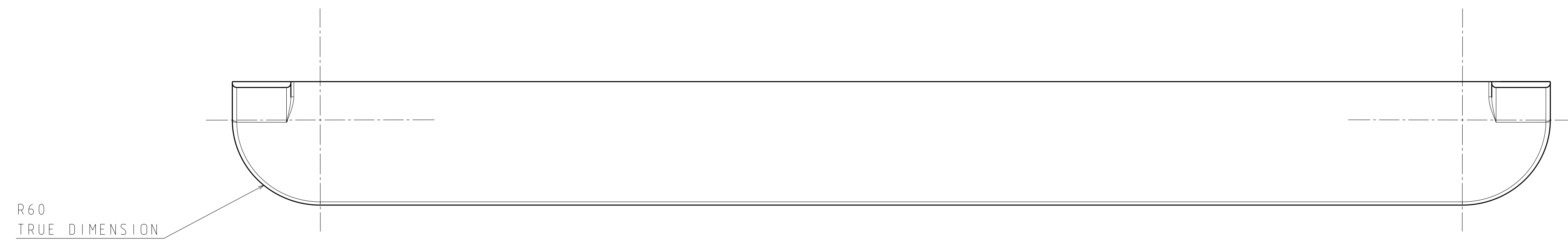


ISSUE	DATE
1	25/11/2010



DIMENSION	PANEL LENGTH				
	840	900	1000	1200	1500
①					



PART NUMBER TABLE	
840 WIDTH PNL	FTF840
900 WIDTH PNL	FTF900
1000 WIDTH PNL	FTF1000
1200 WIDTH PNL	FTF1200
1500 WIDTH PNL	FTF1500

- NOTES :
1. MATERIAL TO BE 4mm THICK ABS WHITE SMOOTH
 2. ALL EDGES TO BE DE-BURRED AND SMOOTH
 3. UNLESS OTHERWISE STATED, ALL TOLERANCES TO BE AS TITLE BLOCK.
 4. UNLESS OTHERWISE STATED ALL DIMS IN MM
 5. UNLESS OTHERWISE STATED ALL DIMS ARE SYM OPP AROUND CENTRE LINE
 6. NO PART OF THIS DOCUMENT TO BE REPRODUCED UNLESS INSTRUCTED IN WRITING BY FLOODTITE SYSTEMS.

ORIGINAL SCALE 1 : 2 UNLESS OTHERWISE STATED

DRAWN	D. HARDS	DATE	25/11/2010
-------	----------	------	------------

FLOODTITE SYSTEMS

TOLERANCE
D = +/- 1mm
D, D = +/- 0.5mm

SUBFRAME

SEE PART NO TABLE

SHEET 2 OF 3